



SN-TPC4201KT/F (III)

Temperature Alarm Bullet Network Camera



Key Features

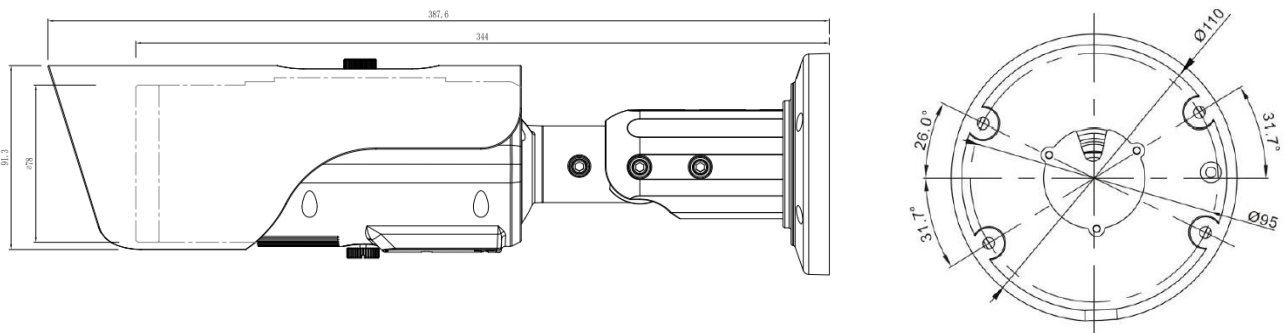
- On-board temp-detection algorithm
- Effective pixels 400×300
- Sensitivity 40mK
- 8/15/25/35/50mm fixed lens optional
- 20 spots / 2 lines / 16 areas temperature detection
- 17 color control
- DVE image enhance
- Standalone operating

Specification

Thermal Camera					
Detector Type	Uncooled IRFPA Microbolometer				
Effective Pixels	400(H) × 300(V)				
Pixel Size	17µm				
Thermal Sensitivity (NETD)	40mK @F1.0, 300K				
Spectral Range	8~14µm				
Image Setting	Polarity LUT/ DVE/ Mirror/ FCC/ /3D DNR Brightness/Contrast/ ROI				
Color Palettes	Black-Heat /White-Heat/Rainbow/Iron-Red up to 17 modes				
Thermal Lens					
Lens Type	Fixed				
Focus Control	Manual Focus				
Focal Length	8mm	15mm	25mm	35mm	50mm
F No.	F1.0	F1.0	F1.0	F1.0	F1.0
Angle of View	H: 46° V:35.3°	H:25.5° V:19.2°	H:15.4° V:11.6°	H: 11° V:9°	H: 7.7° V:5.8°
Detection Distance Fire(1m*1m)	235m	441m	735m	1029m	1471m
Detection Distance Man(1.8m*0.5m)	235m	441m	735m	1029m	1471m
Detection Distance Vehicle(4m*1.5m)	722m	1353m	2255m	3137m	4510m
Recognition Distance Fire(1m*1m)	78m	147m	245m	343m	490m
Recognition Distance Man(1.8m*0.5m)	59m	110m	184m	257m	368m
Recognition Distance Vehicle(4m*1.5m)	180m	338m	564m	789m	1127m
Video and Audio					
Frame Rate	Main Stream: D1 @25/30fps Sub Stream: CIF @25/30fps				
Bit Rate Control	CBR/VBR				
Bit Rate	100Kbps ~ 6Mbps				
Region of Interest	Off / On (8 Zone, Rectangle)				
Digital Zoom	16x				
Mirror	Support				
Defog	Support				
Motion Detection	Support				
Privacy Masking	Off / On (4 Area, Rectangle)				
DVE Image Enhance	Support				
Audio Compression	G.711, AMR, RAW_PCM (Optional)				
Intelligence					
Intelligent Functions	Motion detection, Disk alarm, I/O alarm, Temperature alarm				
IVS	Perimeter, Single Virtual Fences, Double Virtual Fences, Object Left, Object Removed				

Temperature Detection	
Detection Mode	Spot, Line, Area
Detection Preset	Support 3 temperature measurement rule types, 20 rules (20 points / 2 lines / 16 regions)
Temperature Alarm	Over temperature alarm, Temperature difference alarm
Accuracy	±2℃ / ±2%
Response Time	≤30ms
Theory of temperature measurement range	-40℃~-150℃(-40℉~302℉)
Temperature display mode	Temperature target >5℃, Display absolute temperature value, Temperature target ≤5℃, Display relative temperature value (temperature difference DEV = highest value - average)
Network	
Ethernet	RJ-45 (10/100Base-T)
Protocols:	IPv4/IPv6 ,HTTP,RTSP/RTP/RTCP, TCP/UDP, DHCP, DNS, PPPOE, SMTP, SIP ,802.1x
Interoperability	ONVIF, CGI, SDK
Streaming Method	Unicast
Max. User Access	10 Users
Edge Storage	Local PC for instant recording Micro SD card 128GB
Web Viewer	<IE11, Chrome, Firefox
Web Language	English, Chinese, Polish, Italian, Portuguese, Spanish, Russian, French, Czech, Hungarian
Interface	
Ethernet	1 Ethernet (10/100 Base-T) RJ-45 Connector
Audio Interface	1ch Audio In,1ch Audio Out
Alarm	2ch Alarm In,2ch Alarm Out
RS485	Support
BNC Output	Support
Reset Button	Support
General	
Power Supply	DC12V/POE (IEEE 802.3af)
Power Consumption	Max 5W
Working Temperature	-40℃~60℃(-40℉~140℉)
Storage Conditions	0~ 90% RH
Certifications	CE /FCC
Ingress Protection	N/A
Casing	Metal
Dimensions	φ 110×388mm
Net Weight	1.8Kg (with 15mm lens)

Dimensions(mm)



Accessories

Optional:



SN-CBK627B
Pole Mount



SN-CBK649A
Junction Box