



SN-IPV7050EGAR-B

5MP IR Dome Network Camera



Key Features

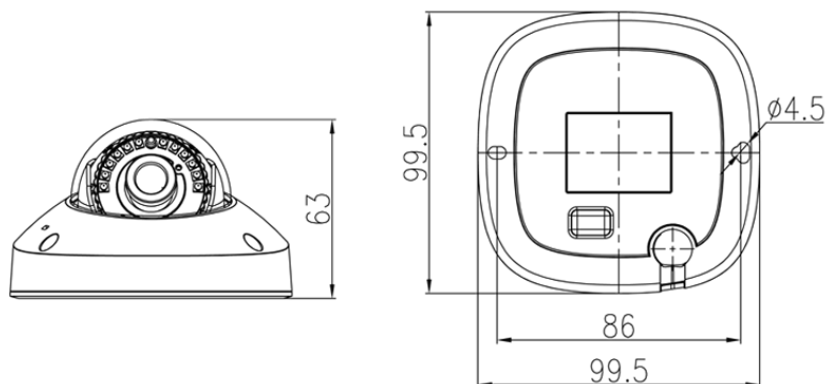
- 1/2.8" progressive scan CMOS
- 2.8mm (4mm optional)
- 25fps@5MP(2560×1920)
- Triple streams
- WDR, 3D DNR, ROI, HLC, BLC
- Built-in 1-ch microphone
- Smart IR up to 15m
- IP66

Specification

Camera	
Image Sensor	1/2.8" Progressive Scan CMOS
Effective Pixels	2560(H)×1920(V)
Electronic Shutter	Auto/Manual, 1/5 ~ 1/20,000s
Min. illumination	Color: 0.05 Lux @ (F1.2, AGC ON) , B/W: 0 Lux @ (IR LED ON)
S/N Ratio	55dB
Day/Night	Auto(ICR)
Wide Dynamic Range	WDR
IR Range	Up to 15 m (49.2 ft)
IR On/Off Control	Auto/Manual
Pan/Tilt/Rotation Range	Pan: ±45°, Tilt: 0° ~ 90°, Rotation: 0° ~ 360°
Lens	
Focal Length	Fixed
Iris	Fixed Iris
Focal Length	2.8 mm (4 mm optional)
F Number	F2.0
Angle of View	H: 93.2°, V: 67.9°
Focus Control	Fixed
Video	
Max. Resolution	5MP (2560×1920)
Streaming Capability	3 Streams
Stream/Frame Rate	Stream1: 2560×1920, 2048×1536, 1280×960 @ 25fps Stream2: D1, VGA, 640×360, CIF, QVGA @ 25/30fps Stream3: VGA, CIF, QVGA @25/30fps
Bit Rate Control	CBR/VBR
Bit Rate	Stream1: 100kbps~16Mbps Stream2: 10kbps~6Mbps Stream3: 10kbps~3Mbps
Image Enhancement	HLC / BLC / Anti-shake / WDR
White Balance	Auto
Gain Control	Auto/Manual
Noise Reduction	2D/3D DNR
Smart IR	Support
Mirror	Support
Region of Interest	Off/On (8 Zone, Rectangle)
Motion Detection	Support
Privacy Masking	Support

Audio	
Compression	G.711, RAW_PCM
Bit Rate	8kbps, 16kps, 64kbps
Network	
Protocols	IPv4/IPv6, 802.1x, HTTP, HTTPS, TCP/IP, UDP/IP, RTSP, DHCP, NTP, RTCP/RTP, PPPoE, SMTP, DNS, UPnP, FTP, ARP, SNMP
Interoperability	ONVIF, SDK, CGI
Streaming Method	Unicast
Max. User Access	10 Users
Web Viewer	<IE11, Chrome, Firefox, Microsoft Edge
Management Software	SunView
Interface	
Ethernet	1 Ethernet (10/100 Base-T) RJ-45 Connector
Audio	1ch Output, Built-in 1ch Mic
Alarm	1ch Input, 1ch Output
Reset Button	Support
Storage	Built-in Micro SD slot, up to 256G
Electrical	
Power Supply	DC12V/POE (IEEE 802.3af)
Power Consumption	Max 6 W
Operating Temperature	-30°C ~ 55°C (-22°F ~ 131°F)
Operating Humidity	Less than 90% RH
Ingress Protection	IP66
Certifications	CE/FCC
Casing	Metal + Plastic
Dimensions	99.5 × 99.5 × 63 mm (3.92 × 3.92 × 2.48 inch)
Net Weight	0.38 kg (0.84 lb)

Dimensions (mm)



Accessories

Optional:



SN-CBK654
Junction Box



SN-BK345
Wall Mount